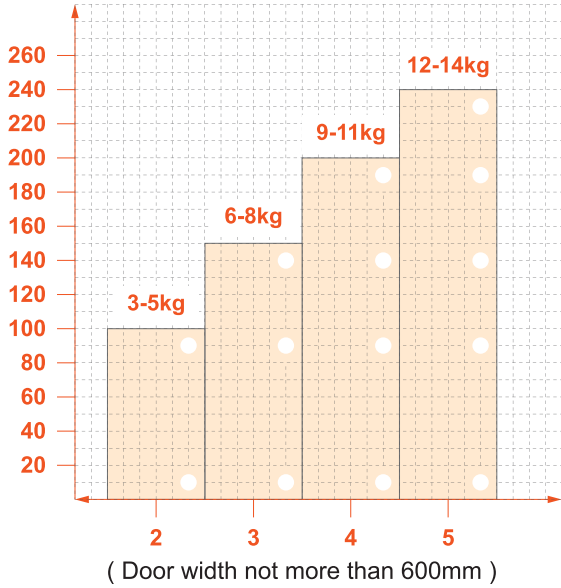
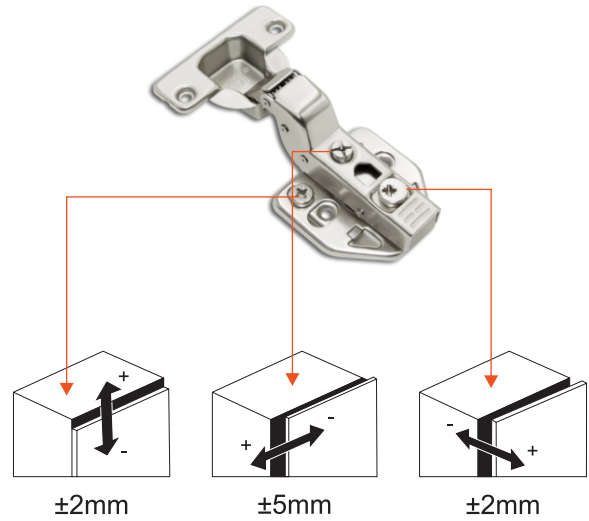


• **Hinges Per Door**



• **Door Adjustment**



• **Drilling Centers**

D	H	K	3	4	5	6	7
0			-3	-2	-1	0	1

**H:** Mounting plate height **K:** Distance from door edge to the edge of cup drilling **A:** Gap between door and side panel

