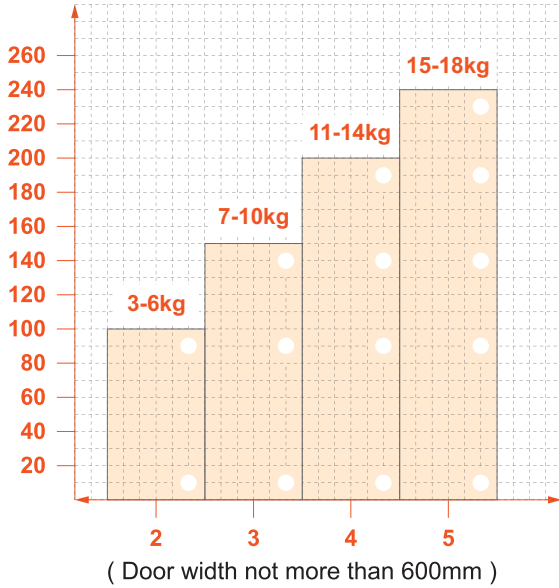
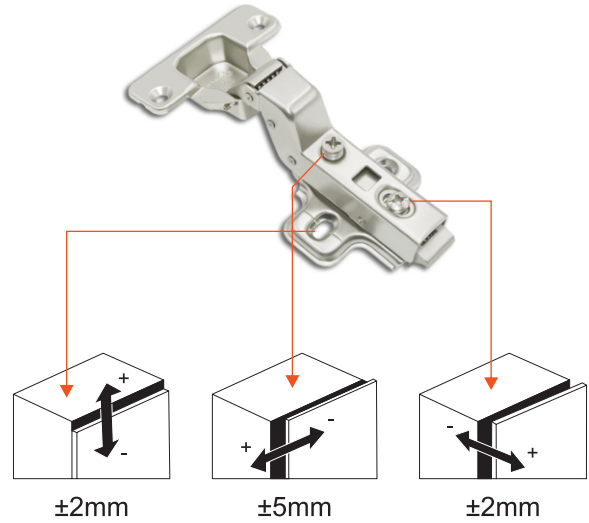


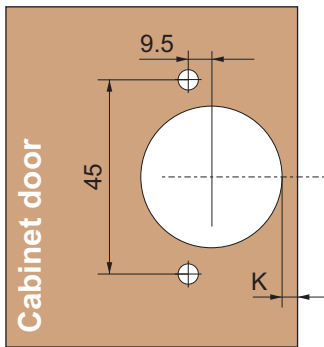
• **Hinges Per Door**



• **Door Adjustment**

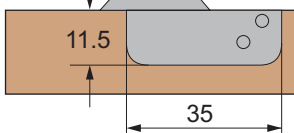


• **Drilling Centers**



D	H	K	3	4	5	6	7
0			-2.5	-1.5	-0.5	0.5	1.5

H: Mounting plate height K: Distance from door edge to the edge of cup drilling A: Gap between door and side panel



• **Cabinet Side Panel**

