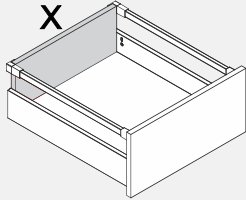




LVL-1 Using Side Rails Specifications

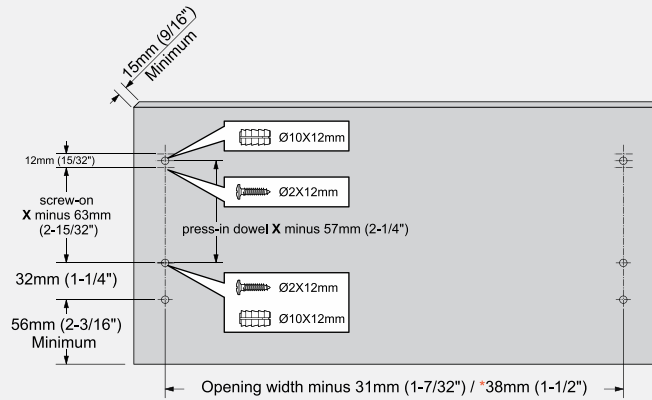
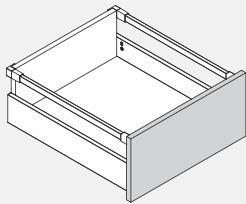
Drawer backboard

i The * asterisk number for 19mm runner thickness



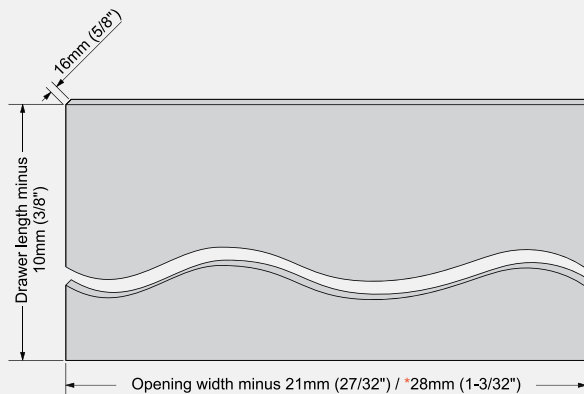
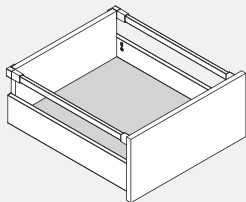
Drawer front

i The * asterisk number for 19mm runner thickness

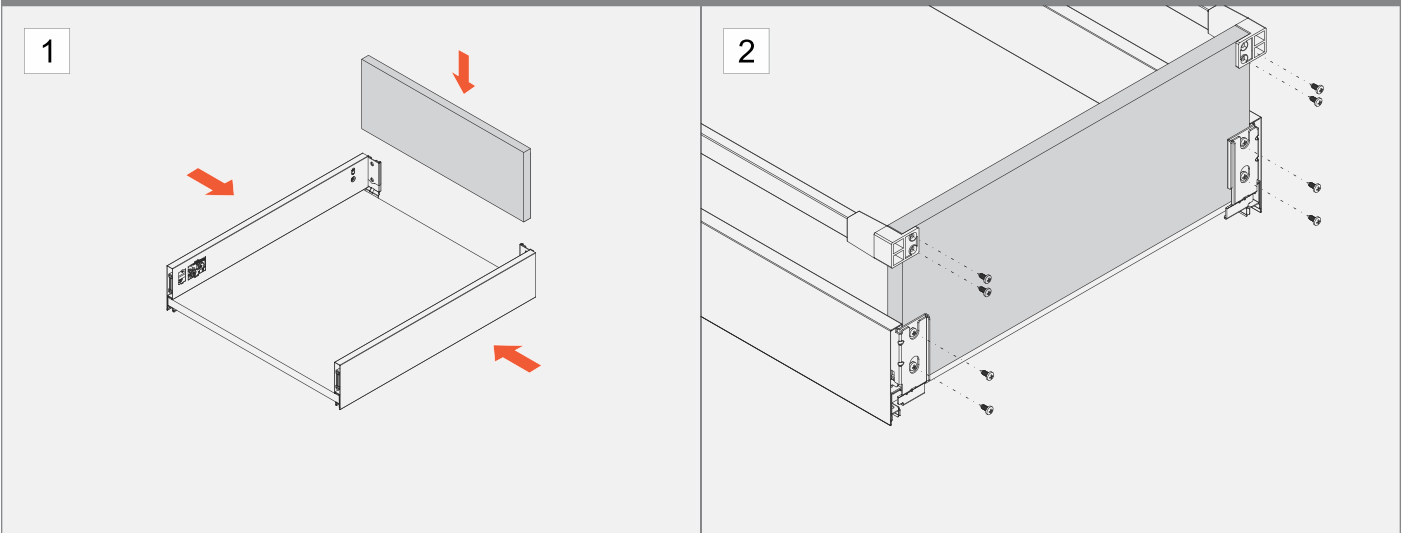


Drawer bottom board

i The * asterisk number for 19mm runner thickness

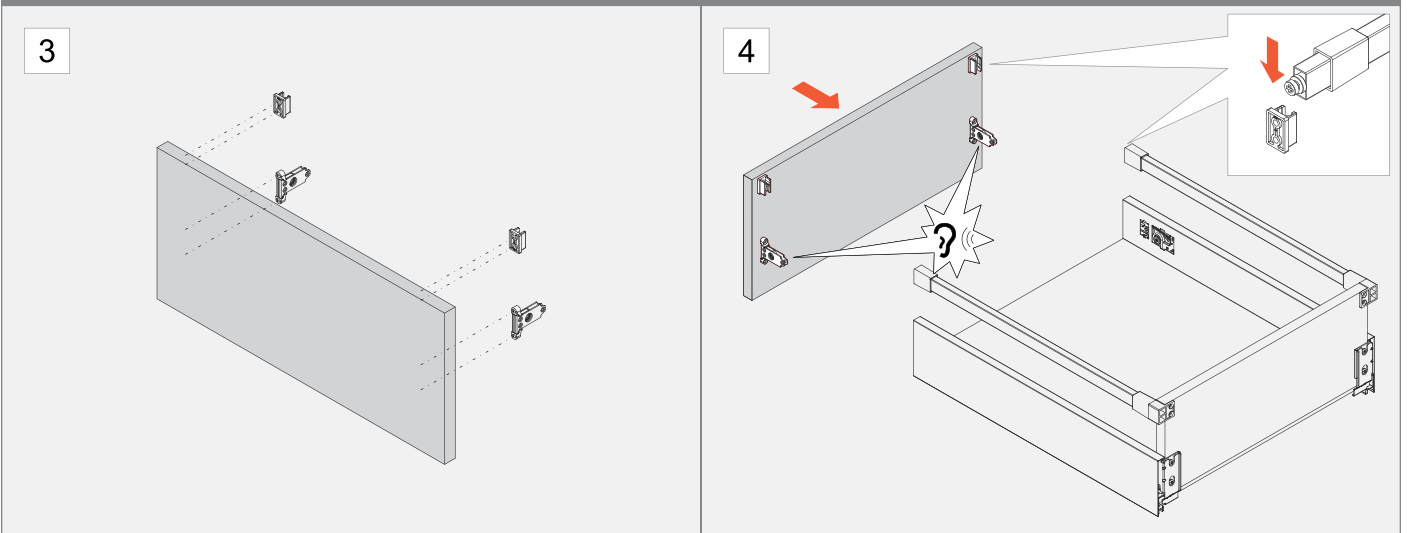


Drawer backboard



Drawer front

i Detaching drawer front



Drawer bottom board

