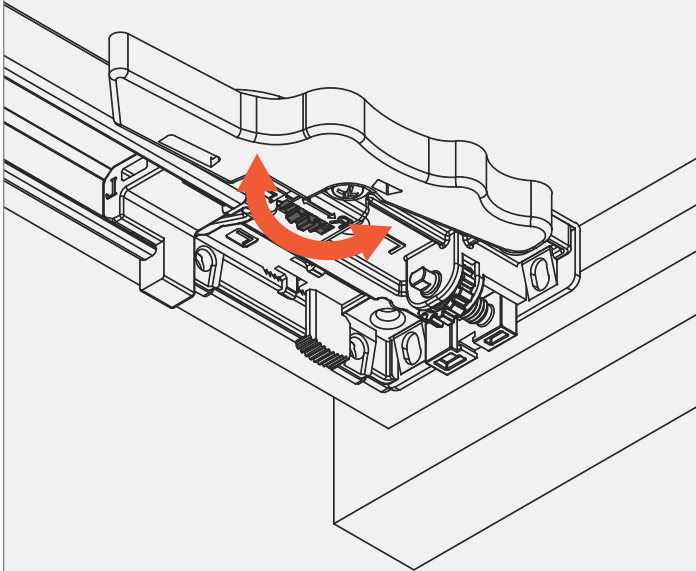


Clip Device and Runner Adjustment

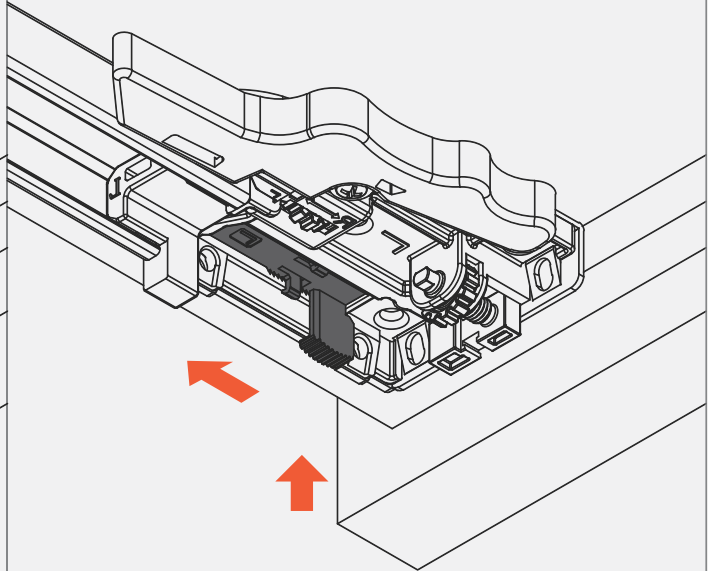
Front side-to-side adjustment

Rotate the side-to-side adjustment mechanism on both locking devices equally, either forward or backward. Rotate forward to adjust the drawer front to the left, and backward to adjust it to the right.



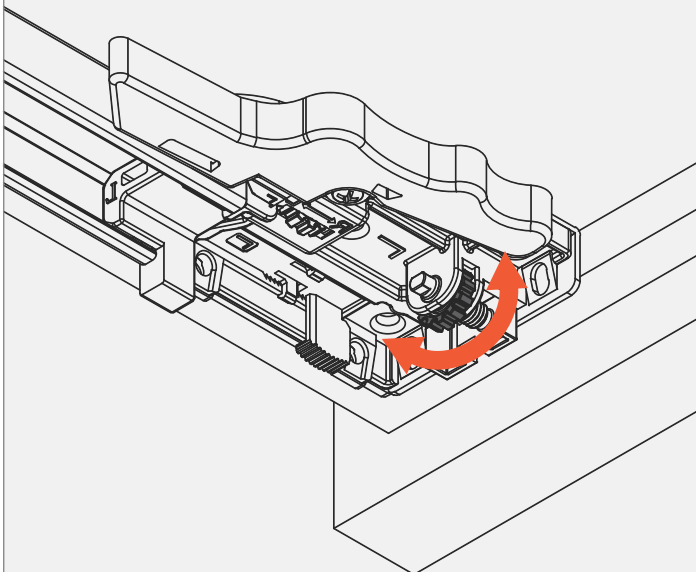
Height adjustment

Press the adjustment tab upward and push it toward the back of the drawer to adjust the height of the drawer front.



Depth adjustment

To adjust the depth of the drawer front, rotate the depth adjustment mechanism. Turn it to the right to move the drawer front outward, and to the left to move it inward.



Depth adjustment on runner

Runners have elongated slots that permit a depth adjustment ± 4.5 mm (3/16").

